

---

---

# Record and Playback in T3 E3

---

---



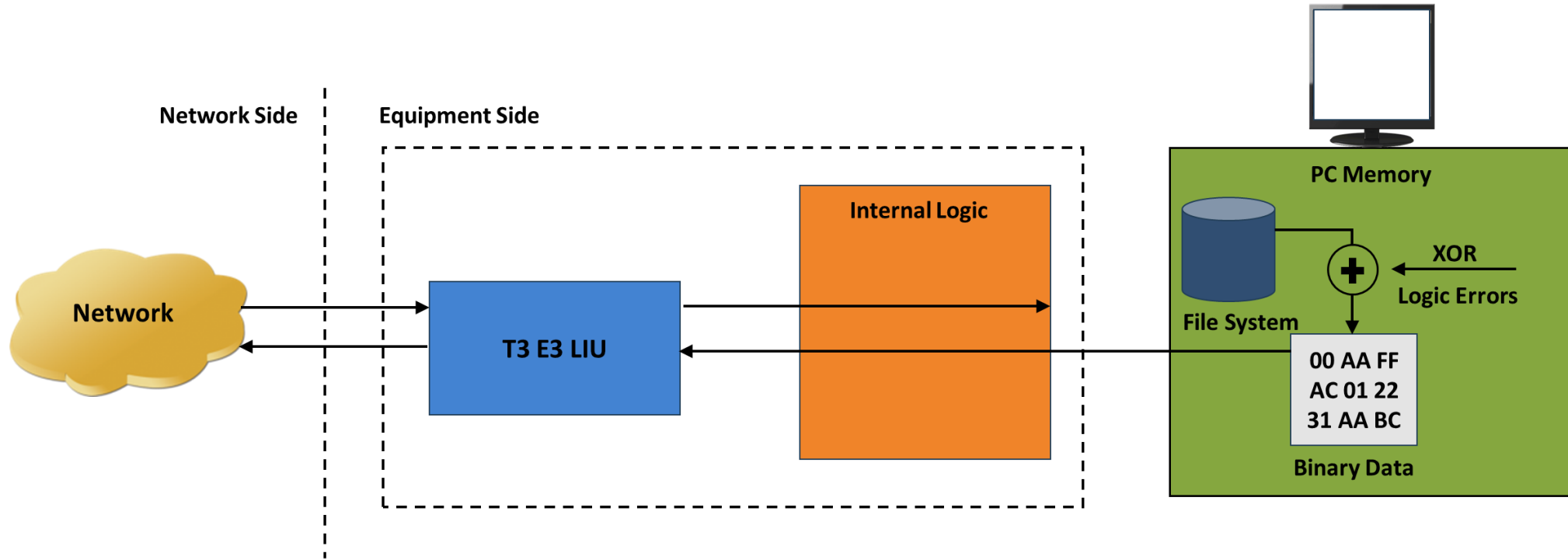
818 West Diamond Avenue - Third Floor, Gaithersburg, MD 20878  
Phone: (301) 670-4784 Fax: (301) 670-9187 Email: [info@gl.com](mailto:info@gl.com)  
Website: <https://www.gl.com>

# Optional Applications

- Record and Playback Software
  - Playback (Transmit from File)
  - Record (Capture to File)
- Client Server File Record Playback

# Playback (Transmit from File)

Logical diagram for transmit from file (playback) application



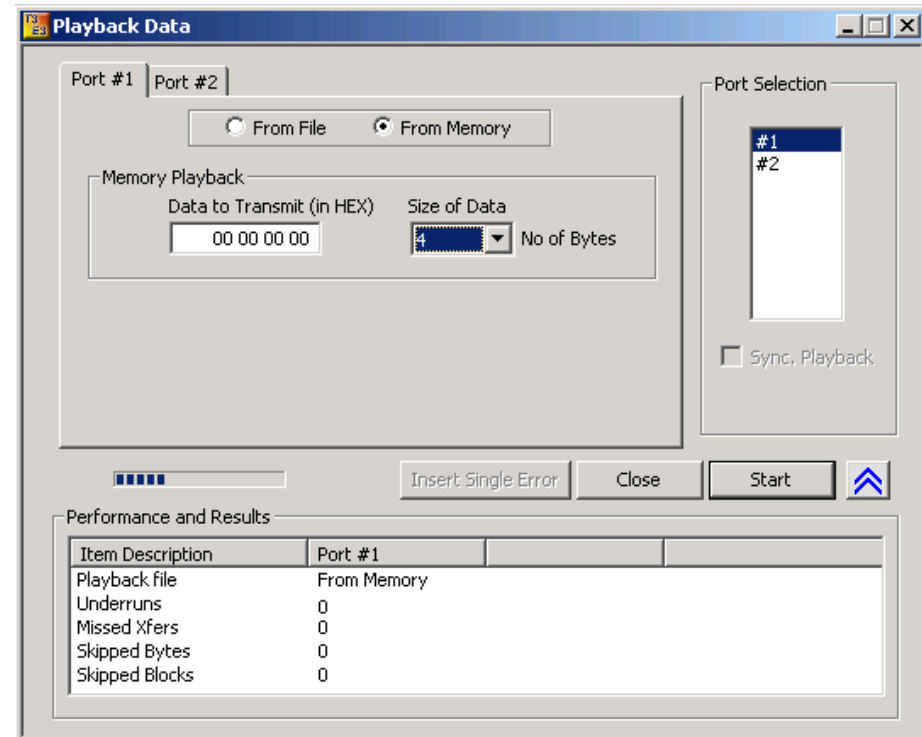
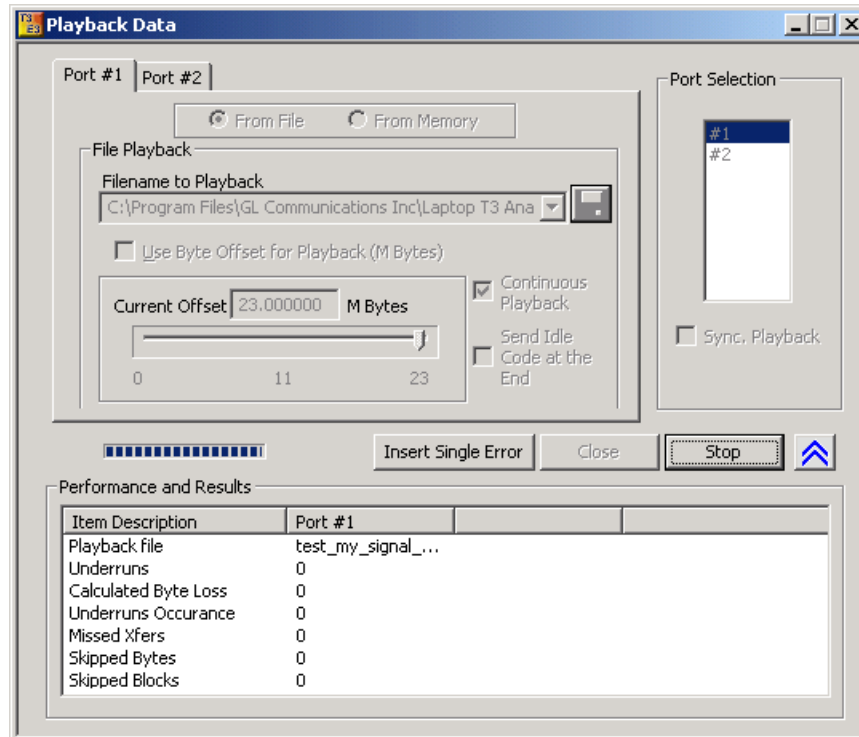
- The transmit file application permits transmission of a file of any length or transmission of data from memory in hex format

# Playback (Transmit from File)

- Transmit flat binary file or user selected file over T3 or E3
- Playback over framed or unframed T3 or E3
- Continuous playback or single instance playback
- Manual insertion of single error along with the data stream play back
- Statistics such as Underruns, MissedXfer, Skipped Bytes and Blocks can be observed for the selected port

# Playback (Transmit from File)

## User Interface for transmit from file/memory (playback) application

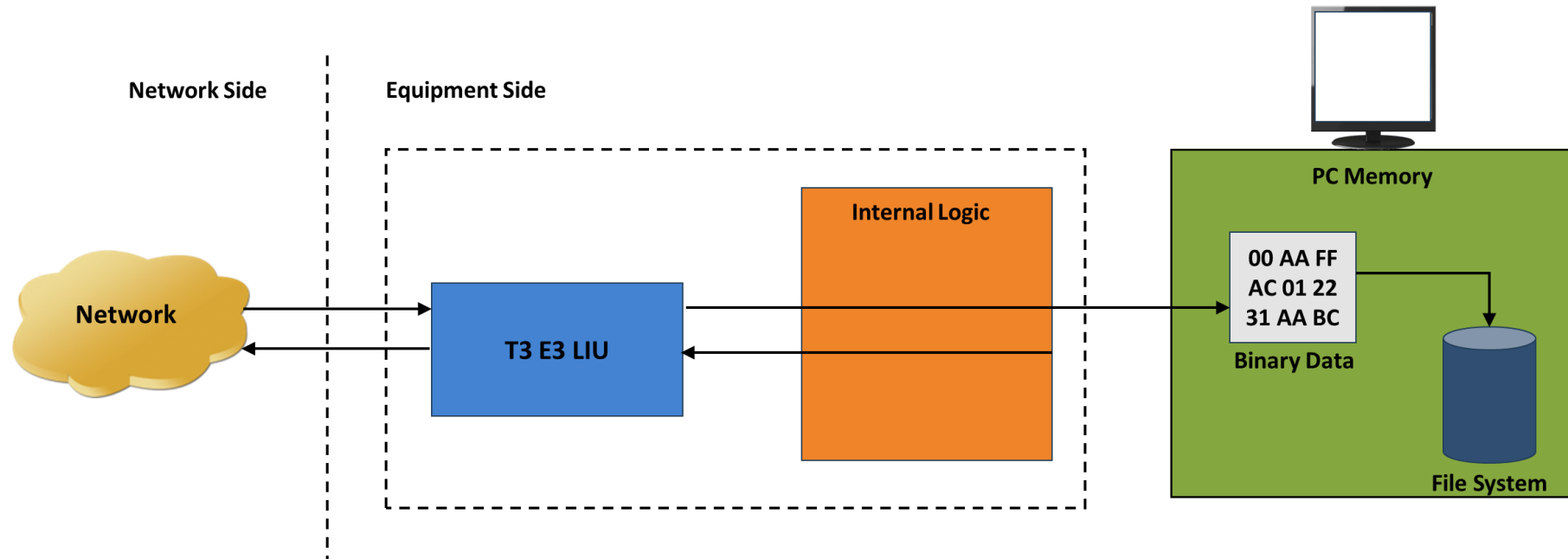


From Memory and/or File Playback –

- In file playback, files of any length can be transmitted continuously (without loss)
- In memory playback, data to be transmitted (in HEX) with maximum size of 4 bytes

# Record (Capture to File)

Logical diagram for capture (record) application



- Permits continuous or limited capture of data on the T3 or E3 lines
- Save the captured data in binary file format
- Supports synchronized capture for multiple cards

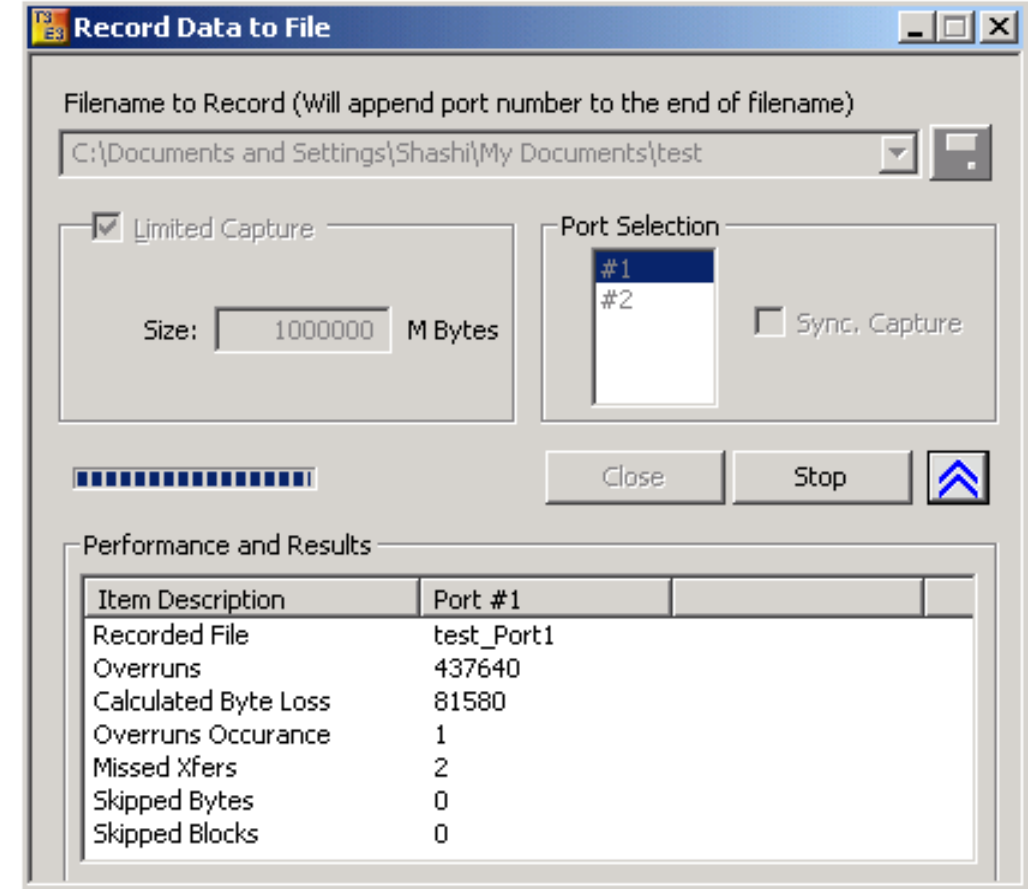
# Record (Capture to File)

- Capture incoming data into binary flat file
- Each T3 or E3 Signal is captured into separate files
- Synchronized capture from both ports
- Unframed T3 or E3 or Framed T3 or E3
- Capture up to user selected size or manually stop
- Typical applications include capture of video files, traffic loading applications, surveillance applications, and protocol analysis

# Record (Capture to File)

## User Interface for capture (record) application

- Capture incoming data into binary flat file
- Synchronized capture from both ports
- Unframed T3 or E3 or Framed T3 or E3 Capture
- Limited Capture (specific number of Megabytes)





**Thank you**